

OREC

ISSUED NO. GR481-1

# PARTS CATALOG

## LAWM MOWER

**GR481**

**GR531**

**GR532**

MODEL	PARTS CODE
GR481	80-1012-△△△-00
GR531	80-1022-△△△-00
GR532	80-1023-△△△-00

### 《CONTENTS》

FIG 1	TRANSMISSION CASE -----	1
FIG 2	TRANSMISSION CASE INSIDE & OUTSIDE-----	3
FIG 3	COVER-----	5
FIG 4	FRONT & REAR WHEEL-----	7
FIG 5	HANDLE-----	11
FIG 6	BLADE & BAG-----	13

\* "C" INDICATES DCK OR DCH MODEL "D" INDICATES DDH OR DDH MODEL

AUGUST 1998

FIG 1 TRANSMISSION CASE

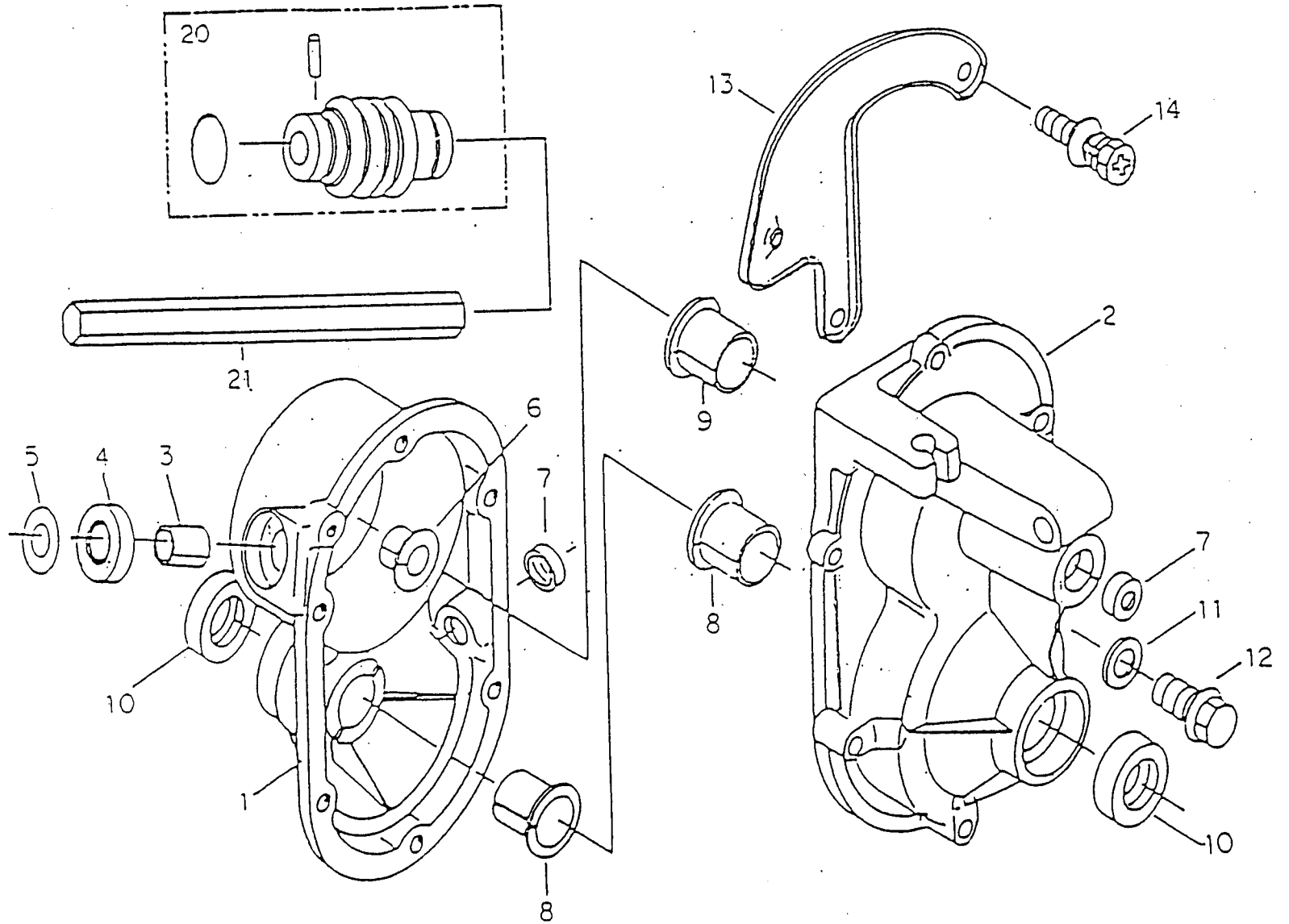




FIG 2 TRANSMISSION CASE INSIDE & OUTSIDE

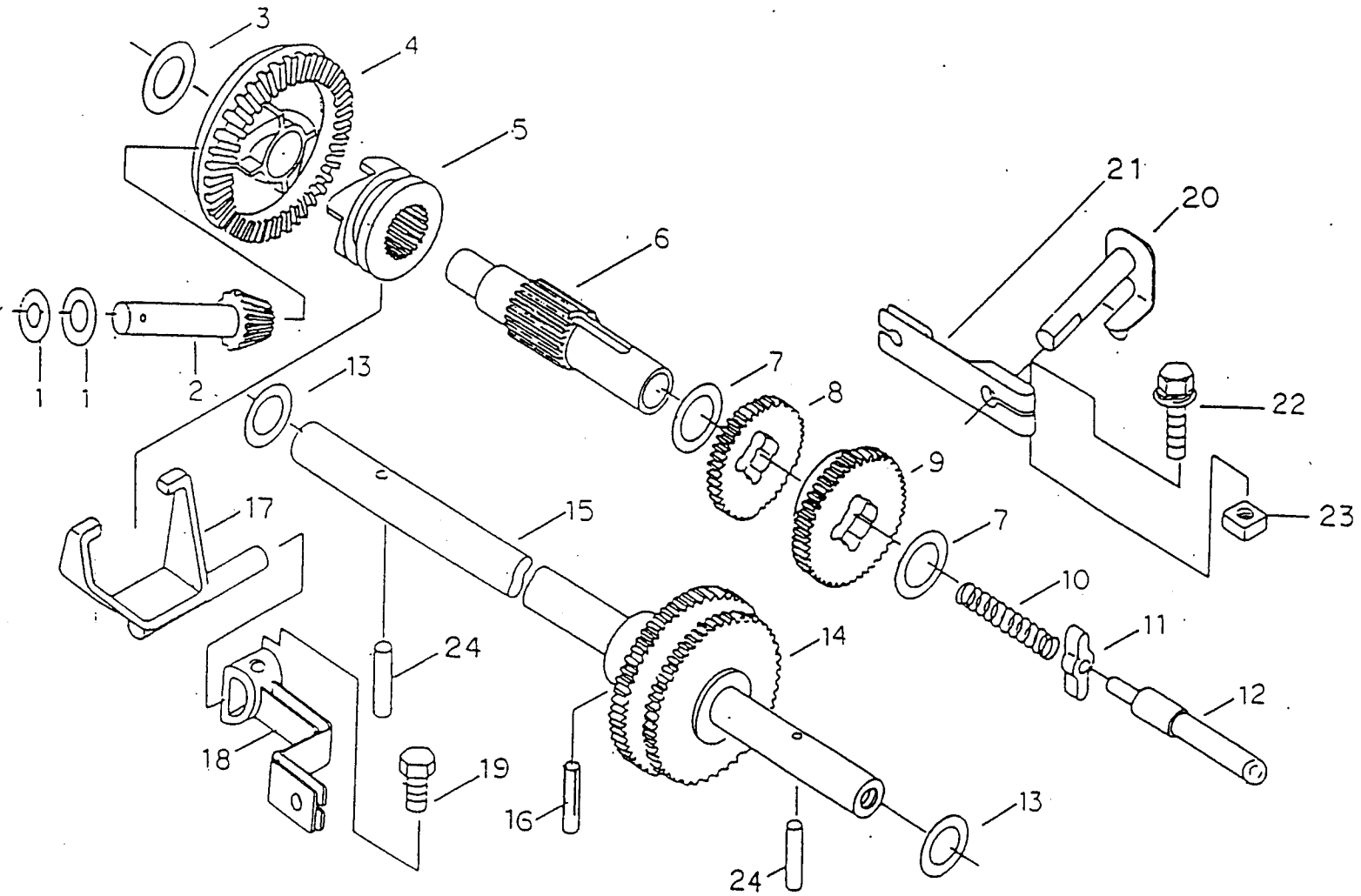


Fig 2 Gear Case (Inside, Outside)

Ref.	Parts No.	Parts Name	Ex-Works	Quantity						Remarks
				GR ##		GR 531		GR 532		
				C	D	C	D	C	D	
1	83-1020-351-00	Thrust Washer 10	¥27	2	2	2	2	2	2	
2,4	80-1020-115-10	Pinion Bevel&Bevel Gear Assy	¥2,496	1	1	1	1	1	1	
2	80-1020-116-10	Pinion Bevel	¥832	1	1	1	1	1	1	
3	83-1020-355-00	Thrust Washer 12	¥27	1	1	1	1	1	1	
4	80-1020-117-10	Bevel Gear 53-tooth	¥1,664	1	1	1	1	1	1	
5	80-1020-119-10	Clutch for Driving	¥1,040	1	1	1	1	1	1	
6	80-1020-118-20	Main Shaft	¥951	1	1	1	1	1	1	
7	83-1020-363-00	Thrust Washer 16	¥40	2	2	2	2	2	2	
8,9	80-1020-125-10	Gear Assy (Low and High)	¥1,107	1	1	1	1	1	1	
8	80-1020-123-10	Gear (Low)	¥579	1	1	1	1	1	1	
9	80-1020-121-10	Gear (High)	¥528	1	1	1	1	1	1	
10	80-1020-161-00	Shaft Spring	¥24	1	1	1	1	1	1	
11	80-1020-108-00	Change Guide	¥80	1	1	1	1	1	1	
12	80-1020-107-00	Change Rod	¥347	1	1	1	1	1	1	
13	83-1020-361-00	Thrust Washer 15	¥40	2	2	2	2	2	2	
14	80-1020-148-30	Axle Gear	¥1,248	1	1	1	1	1	1	
15	80-1020-146-00	Axle	¥644	1	1	1	1	1	1	
16	83-1020-157-00	Spring Pin 5x25	¥30	1	1	1	1	1	1	
17	80-1020-113-00	Clutch Fork	¥384	1	1	1	1	1	1	
18	80-1020-153-10	Clutch Arm	¥253	1	1	1	1	1	1	
19	89-1113-060123	Bolt 8T M6x12	¥7	1	1	1	1	1	1	
20	80-1020-106-00	Shaft Arm	¥332	1	1	1	1	1	1	
21	80-1020-193-10	Change Arm	¥227	1	1	1	1	1	1	
22	89-1144-060253	Bolt & PW SW Assy M6x25	¥13	1	1	1	1	1	1	
23	83-1020-198-00	Square Nut M6	¥7	1	1	1	1	1	1	
24	89-2142-050250	Pin 5x25	¥27	2	2	2	2	2	2	

FIG 3 COVER

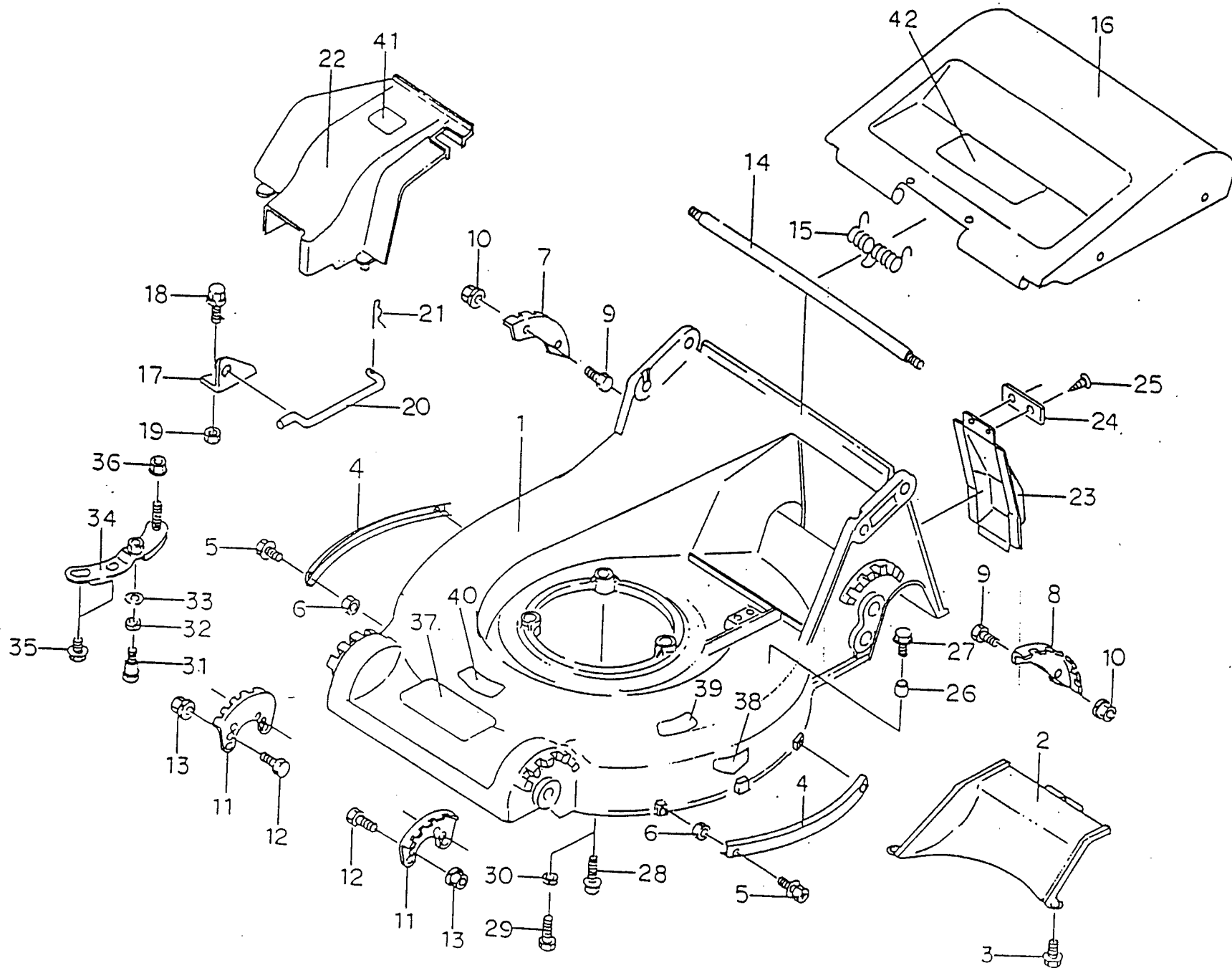


Fig 3 Safety Cover

Ref.	Parts No.	Parts Name	Ex-Works	Quantity						Remarks
				GR ##		GR 531		GR 532		
				C	D	C	D	C	D	
1	80-1010-731-00	Cover (Body) 480	¥18,400	1	1					
	80-1022-731-00	Cover (Body) 530	¥21,600			1	1	1	1	
2	80-1010-714-00	Guide 480	¥1,000	1	1					
	80-1022-714-00	Guide 530	¥1,573			1	1	1	1	
3	83-1020-143-00	Tapping Bolt M8x18	¥28	3	3					
	83-1020-148-00	Tapping Bolt M6x14	¥27			3	3	3	3	
4	80-1010-741-00	Under Guard 480	¥343	2	2					
5	89-1133-060163	Bolt & PW SW Assy M6x20	¥7	4	4					
6	89-1511-060043	Nut M6	¥7	4	4					
7	80-1022-748-00	Rear Wheel Adjusting Plate(R)	¥350			1	1	1	1	
8	80-1022-747-00	Rear Wheel Adjusting Plate(L)	¥350			1	1			
9	89-1113-060143	Hexagonal Bolt(8T) M6x14	¥7			4	4	2	2	
10	89-1541-060003	Hexagonal Nut(SW) M6	¥13			4	4	2	2	
11	80-1022-745-00	Front Wheel Adjusting Plate	¥293			2	2			
12	89-1113-060143	Hexagonal Bolt(8T) M6x14	¥7			4	4			
13	89-1541-060003	Hexagonal Nut(SW) M6	¥13			4	4			
14	80-1020-207-10	Rear Cover Shaft	¥427	1	1	1	1	1	1	
15	80-1020-753-00	Rear Cover Spring	¥243	1	1	1	1	1	1	
16	80-1022-751-00	Rear Cover	¥2,763	1	1	1	1	1	1	
17	80-1020-705-30	Lock Arm Bracket A	¥361	1	1	1	1	1	1	
18	89-1132-080253	Bolt & SW Assy M8x25	¥17	2	2	2	2	2	2	
19	89-1511-080043	Nut M8	¥7	2	2	2	2	2	2	
20	80-1020-707-20	Lock Arm	¥97	1	1	1	1	1	1	
21	89-2131-080002	Snap Pin 8	¥7	1	1	1	1	1	1	
22	80-1020-733-00	Front Cover Gear Case	¥467	1	1					
	80-1022-733-00	Gear Case Cover(H)	¥953			1	1	1	1	GXV120/GXV160
	80-1022-734-00	Gear Case Cover(K)	¥953			1	1	1	1	FC150V
23	80-1020-735-00	Rear Cover Gear Case	¥267	1	1					
24	80-1020-736-00	Rear Cover Stationary Plate	¥167	1	1					
25	89-1161-050163	Cross Recessed Tapping Screw5x16	¥7	2	2					
26	80-1024-952-00	Spacer 6x10	¥7					1	1	
27	83-1515-148-00	Tapping Bolt M6x22	¥13					1	1	
28	89-1133-100503	Bolt & PW SW Assy M10x50 (K)	¥50	3	3	3	3	3	3	FC150V
29	83-1020-116-00	Bolt 5/16-24x45UNF (H)	¥75	2	2	2	2	2	2	GXV120/GXV160
30	89-1750-080003	Spring Washer 8 (H)	¥7	2	2	2	2	2	2	GXV120/GXV160
31	80-1010-789-00	Engine Setting Bolt (H)	¥50	1	1	1	1	1	1	GXV120/GXV160
32	89-1750-100003	Washer 10(H)	¥7	1	1	1	1	1	1	GXV120/GXV160
33	89-1711-100003	Washer 10(H)	¥7	1		1		1		GXV120/GXV160
34	80-1020-721-00	HONDA Engine Stay (H)	¥214	1	1	1	1	1	1	GXV120/GXV160
35	83-1020-148-00	Tapping Bolt M6x14(H)	¥27	2	2	2	2	2	2	GXV120/GXV160
36	83-1310-191-00	Nut M8(H)	¥10	1	1	1	1	1	1	GXV120/GXV160
37	80-1020-902-00	Label (Large)	¥364	1	1	1	1	1	1	
38	80-1020-926-00	Danger Label	¥72	2	2					
	80-1020-927-00	Danger Label	¥72			2	2	2	2	
39	80-1020-907-00	Step Label	¥83	1	1	1	1	1	1	
40	80-1020-928-00	Notice Label (Plug)	¥77	1	1	1	1	1	1	
41	80-1022-909-00	Notice Label (Cover)	¥123	1	1	1	1	1	1	
42	80-1020-929-00	Notice Label (Cover)	¥97	1	1	1	1	1	1	

FIG 4 FRONT & REAR WHEEL (GR481/GR531)

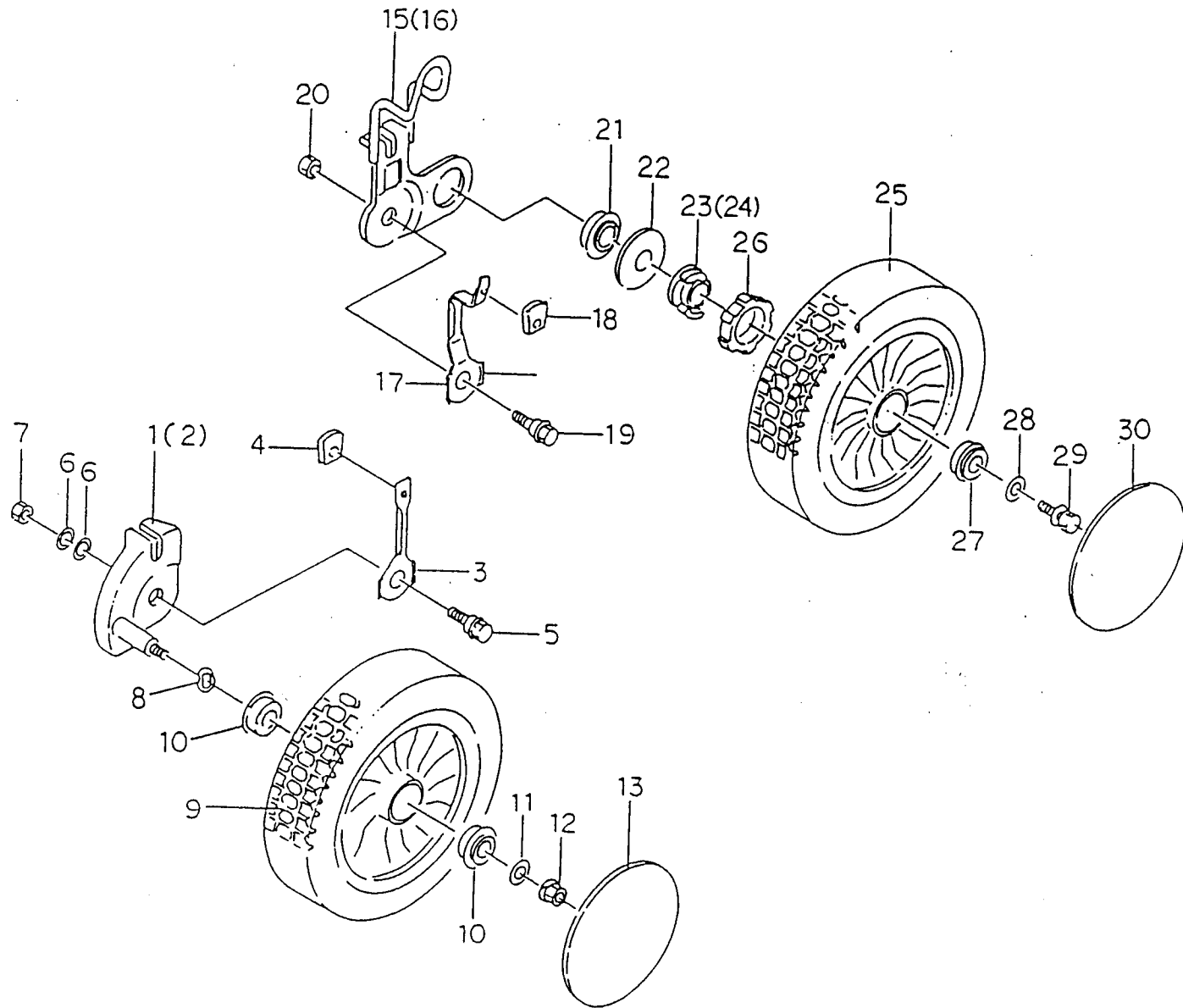




Fig 4 Wheel (GR481/GR531)

Ref.	Parts No.	Parts Name	Ex-Works	Quantity						Remarks
				GR ##		GR 531		GR 532		
				C	D	C	D	C	D	
1	80-1021-404-10	Front Wheel Arm (L)	¥800	1	1	1	1			For Adjustment
2	80-1021-405-10	Front Wheel Arm (R)	¥800	1	1	1	1			
3	80-1020-424-10	Front Wheel Arm Stopper	¥320	2	2					
	80-1022-424-00	Front Wheel Arm Stopper	¥313			2	2			
4	80-1020-426-10	Adjuster Grip	¥100	2	2	2	2			
5	80-1020-406-10	Arm Bolt	¥100	2	2	2	2			
6	83-1020-395-00	Washer 8x12 t0.8	¥23							
7	89-1551-080003	U-Nut M8	¥40	2	2	2	2			
8	83-1022-369-00	Washer 12	¥10	2	2	2	2			
9,10	80-1022-421-00	Front Wheel Assy	¥1,693	2	2	2	2			
9	80-1022-407-00	Front Wheel	¥1,333	2	2	2	2			
10	80-1022-431-00	Bearing KL-4.12	¥180	4	4	4	4			
11	89-1713-080003	Washer 8	¥7	2	2	2	2			
12	89-1541-080003	Hexagonal Nut (SW) M8	¥13	2	2	2	2			
13	80-1022-441-00	Wheel Cap	¥149	2	2	2	2			
15	80-1020-414-20	Rear Wheel Arm (Left)	¥1,019	1	1	1	1			
	80-1022-414-00	Rear Wheel Arm (Left)	¥1,067			1	1			
16	80-1020-415-20	Rear Wheel Arm (Right)	¥1,019	1	1	1	1			
	80-1022-415-00	Rear Wheel Arm (Right)	¥1,067			1	1			
17	80-1022-425-00	Rear Wheel Arm Stopper	¥360	2	2	2	2			
18	80-1020-426-10	Grip	¥113	2	2	2	2			
19	80-1020-406-10	Arm Bolt	¥100	2	2	2	2			
20	89-1551-080003	U-Nut M8	¥40	2	2	2	2			
21	83-1020-987-00	Bearing ND-0.2	¥208	2	2	2	2			
22	80-1020-433-00	Coned Disc Spring	¥91	2	2	2	2			
23	80-1020-458-00	Ratchet Assembly (Left)	¥1,152	1	1	1	1			
24	80-1020-459-00	Ratchet Assembly (Right)	¥1,152	1	1	1	1			
25~27	80-1022-422-00	Rear Wheel Assy	¥2,289	2	2	2	2			
25	80-1022-408-00	Rear Wheel	¥1,333	2	2	2	2			
26	80-1020-409-00	Clutch Guide	¥716	2	2	2	2			
27	80-1022-432-00	Bearing KL-4.15	¥240	2	2	2	2			
28	89-1713-080003	Washer 8	¥7	2	2	2	2			
29	89-1132-080203	Bolt & SW Assy M8x20	¥17	2	2	2	2			
30	80-1022-441-00	Wheel Cap	¥149	2	2	2	2			

FIG 4 FRONT & REAR WHEEL(GR532)

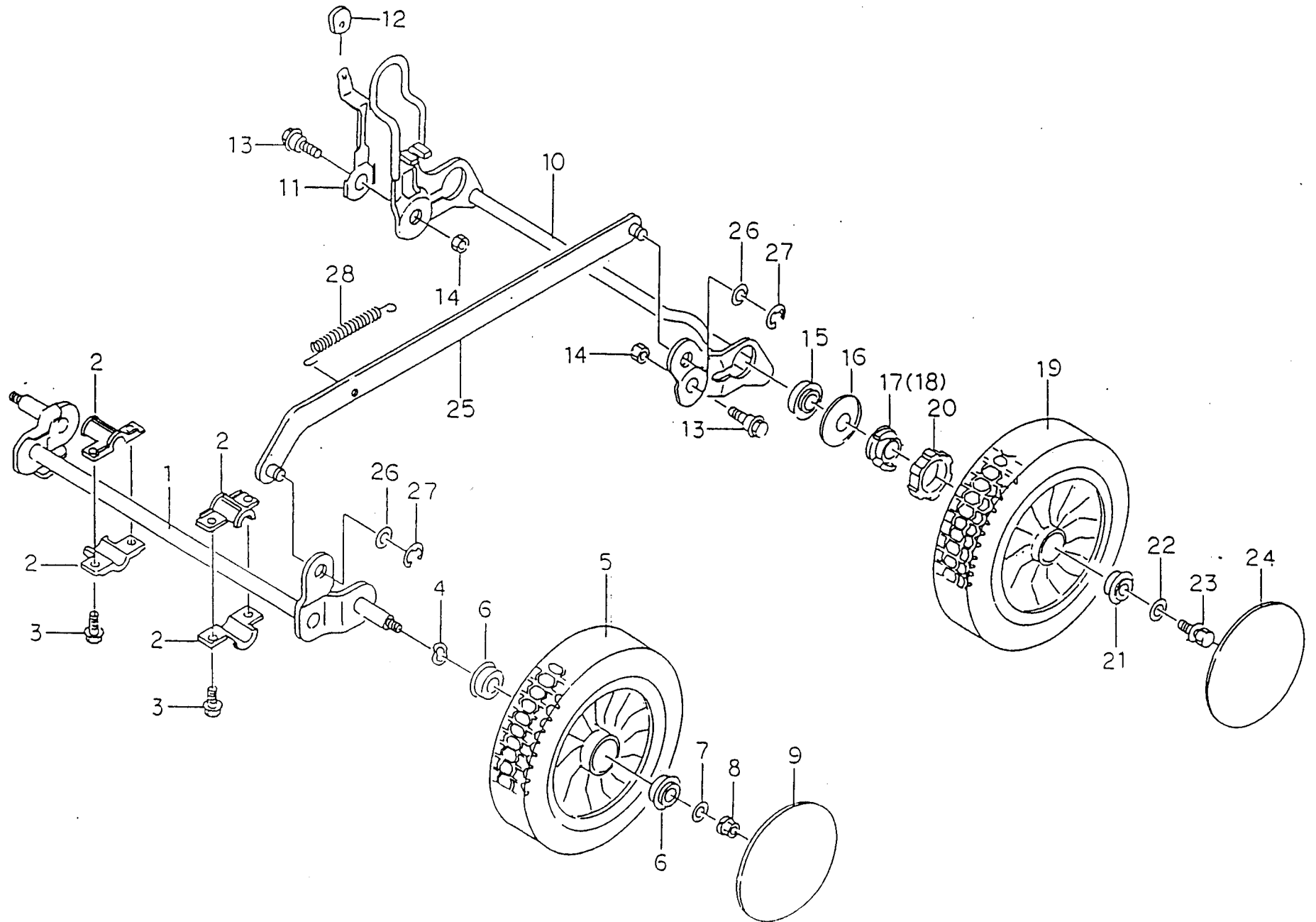


Fig 4 Wheel (GR532)

Ref.	Parts No.	Parts Name	Ex-Works	Quantity						Remarks
				GR ##		GR 531		GR 532		
				C	D	C	D	C	D	
1	80-1023-405-00	Front Wheel Arm	¥1,175					1	1	
2	80-1023-742-00	Arm Bush	¥127					4	4	
3	83-1020-148-00	Tapping Bolt M6x14	¥13					4	4	
4	83-1022-369-00	Washer 12	¥10					2	2	
5.6	80-1022-421-00	Front Wheel Assy	¥1,693					2	2	
5	80-1022-407-00	Front Wheel	¥1,333					2	2	
6	80-1022-431-00	Bearing KL-4.12	¥180					4	4	
7	89-1713-080003	Washer 8	¥7					2	2	
8	89-1541-080003	Hexagonal Nut (SW) M8	¥13					2	2	
9	80-1022-441-00	Wheel Cap	¥149					2	2	
10	80-1023-415-00	Rear Wheel Arm	¥1,253					1	1	
11	80-1022-425-00	Rear Wheel Arm Stopper	¥360					1	1	
12	80-1020-426-10	Adjuster Grip	¥100					1	1	
13	80-1020-406-10	Arm Bolt	¥100					2	2	
14	89-1551-080003	U-Nut M8	¥40					2	2	
15	83-1020-987-00	Bearing ND-0.2	¥208					2	2	
16	80-1020-433-00	Coned Disc Spring	¥91					2	2	
17	80-1020-458-00	Ratchet Assembly (Left)	¥1,152					1	1	
18	80-1020-459-00	Ratchet Assembly (Right)	¥1,152					1	1	
19-21	80-1022-422-00	Rear Wheel Assy	¥2,289					2	2	
19	80-1022-408-00	Rear Wheel	¥1,333					2	2	
20	80-1020-409-00	Clutch Guide	¥716					2	2	
21	80-1022-432-00	Bearing KL-4.15	¥240					2	2	
22	89-1713-080003	Washer 8	¥7					2	2	
23	89-1132-080203	Bolt & SW Assy M8x20	¥17					2	2	
24	80-1022-441-00	Wheel Cap	¥149					2	2	
25	80-1023-416-00	Translation Bar	¥717					1	1	
26	89-1713-100003	Washer 10	¥7					2	2	
27	89-2521-000083	Stopper 8(E-type)	¥7					2	2	
28	80-1023-417-00	Translation Spring	¥293					1	1	

FIG. 5 HANDLE

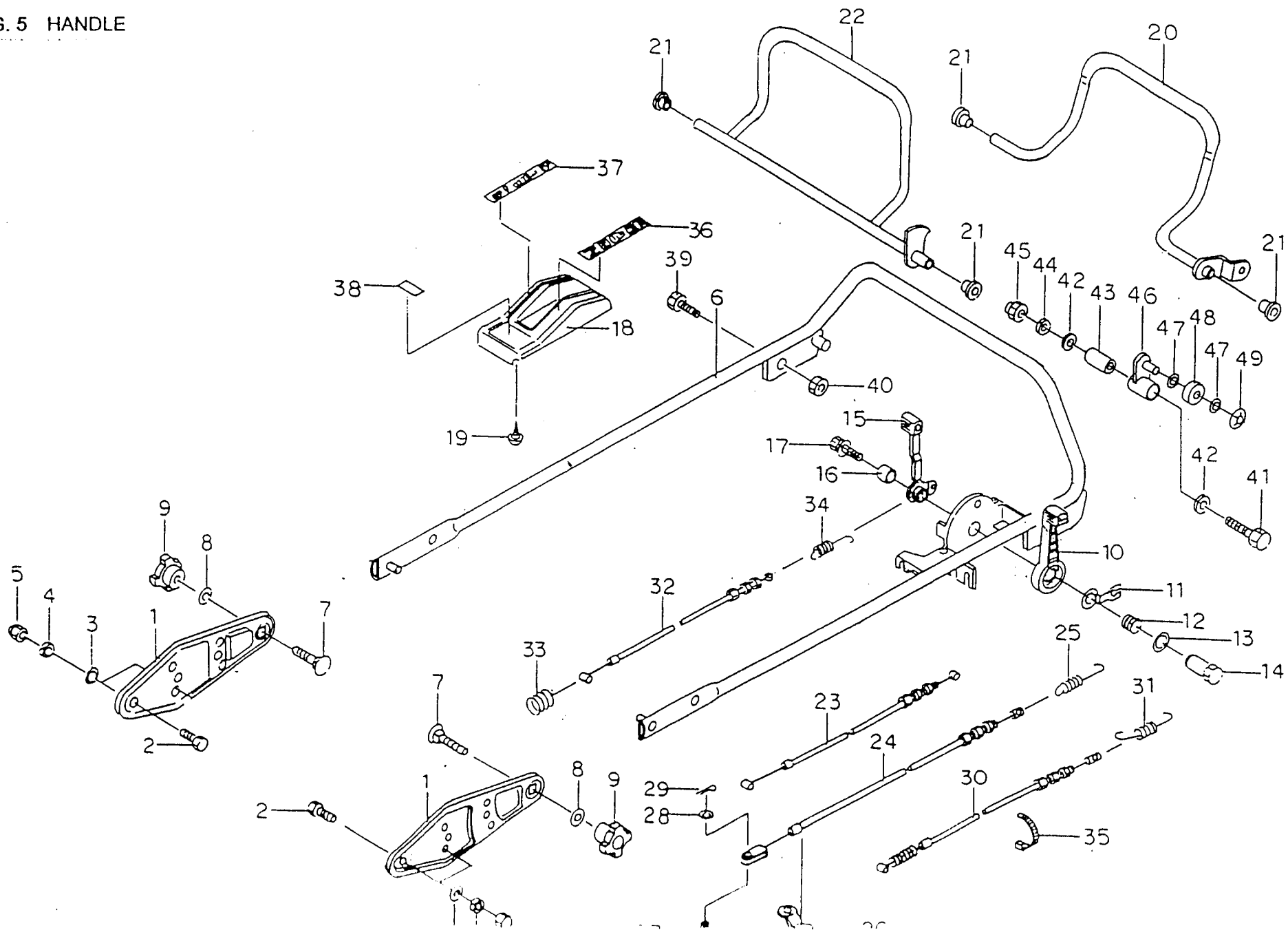


Fig 5 Handle

Ref.	Parts No.	Parts Name	Ex-Works	Quantity						Remarks
				GR ##		GR 531		GR 532		
				C	D	C	D	C	D	
1	80-1022-201-10	Handle Setter	¥907	2	2	2	2	2	2	
2	89-1113-080253	Bolt 8T M8x25	¥17	2	2	2	2	2	2	
3	89-1711-080003	Washer 8	¥7	4	4	4	4	4	4	
4	89-1750-080003	Spring Washer 8	¥7	4	4	4	4	4	4	
5	89-1571-080043	Cap Nut M8	¥13	4	4	4	4	4	4	
6	80-1022-211-00	Handle D	¥3,890		1		1		1	
	80-1022-224-00	Handle C	¥3,833	1		1		1		
7	89-1412-080403	Blade Lever Cover	¥27	2	2	2	2	2	2	
8	89-1711-080003	Washer 8	¥7	2	2	2	2	2	2	
9	80-1020-228-10	Knob Nut M8	¥271	2	2	2	2	2	2	
10	80-1020-261-00	Throttle Lever (K)	¥331	1	1	1	1	1	1	FC150V
	80-1020-265-00	Throttle Lever (H)	¥331	1	1	1	1	1	1	GXV120/GXV160
11	80-1020-264-00	Washer	¥333	1	1	1	1	1	1	
12	80-1020-263-00	Lever Shaft Spring	¥40	1	1	1	1	1	1	
13	89-1711-120003	Washer 13x21	¥7	1	1	1	1	1	1	
14	80-1020-262-00	Lever Shaft	¥133	1	1	1	1	1	1	
15	80-1020-260-00	Change Lever	¥683	1	1	1	1	1	1	
16	80-1020-270-00	Inner Collar	¥67	1	1	1	1	1	1	
17	89-1133-080303	Bolt & PW SW Assy M8x30	¥20	1	1	1	1	1	1	
18	80-1020-231-00	Control Case	¥243	1	1	1	1	1	1	
19	89-1161-050123	Tapping Screw 5x12	¥7	2	2	2	2	2	2	
20	80-1022-242-00	Driving Lever	¥953	1	1	1	1	1	1	
21	80-1020-243-00	Driving Lever, Metal	¥79	4	4	4	4	4	4	
22	80-1022-252-00	Blade Lever	¥1,193	2	2	2	2	2	2	
23	83-1024-952-00	Throttle Wire V(K)	¥541	1	1	1	1	1	1	FC150V
	83-1022-955-10	Throttle Wire (H)	¥541		1		1		1	GXV120/GXV160
24	83-1024-945-00	Blade Wire V	¥728		1		1		1	
	83-1022-958-00	E/G Brake Wire (K)	¥816	1		1		1		FC150V
25	80-1021-968-10	Blade Spring VB	¥160	1	1	1	1	1	1	
26	80-1010-717-00	Blade Wire Setting	¥93		1		1		1	
27	89-2181-060162	Pin 6x16	¥17		1		1		1	
28	89-1711-060002	Washer 6	¥7		1		1		1	
29	89-2120-200152	Split Pin 2x15	¥7		1		1		1	
30	83-1024-932-00	Driving Wire V	¥728	1	1	1	1	1	1	
31	80-1022-966-10	Driving Clutch Spring	¥163	1	1	1	1	1	1	
32	83-1024-936-00	Driving Change Wire V	¥568	1	1	1	1	1	1	
33	80-1020-969-00	Change Return Spring	¥40	1	1	1	1	1	1	
34	80-1020-967-00	Change Spring	¥64	1	1	1	1	1	1	
35	83-1415-718-00	Wire Band	¥17	2	2	2	2	2	2	
36	80-1020-911-00	Throttle Label (K)	¥93	1	1	1	1	1	1	FC150V
	80-1020-913-00	Throttle Label (H)	¥93	1	1	1	1	1	1	GXV120/GXV160
37	80-1020-912-00	Change Label	¥93	1	1	1	1	1	1	
38	80-1020-903-00	Label (Small)	¥61	1	1	1	1	1	1	
39	89-1113-080303	Hexagonal Bolt (8T) M8x30	¥20	1	1	1	1	1	1	
40	89-1511-080043	Hexagonal Nut M8	¥7	1	1	1	1	1	1	
41	80-1113-080503	Hexagonal Bolt (8T) M8x50	¥65	1	1	1	1	1	1	
42	89-1713-080003	Washer 8	¥7	2	2	2	2	2	2	
43	80-1022-254-00	Inner Pipe 13.8x30	¥43	1	1	1	1	1	1	
44	89-1750-080003	Spring Washer 8	¥7	1	1	1	1	1	1	
45	89-1571-080043	Cap Nut M8	¥13	1	1	1	1	1	1	
46	80-1021-252-00	Blade Wire Arm	¥440	1	1	1	1	1	1	
47	83-1020-395-00	Shim Washer 8x12x0.8	¥23	2	2	2	2	2	2	
48	80-1021-253-00	Roller	¥133	1	1	1	1	1	1	With Bush 08.07
49	83-1021-195-00	Push Nut 8	¥17	1	1	1	1	1	1	

FIG. 6 BLADE & BAG

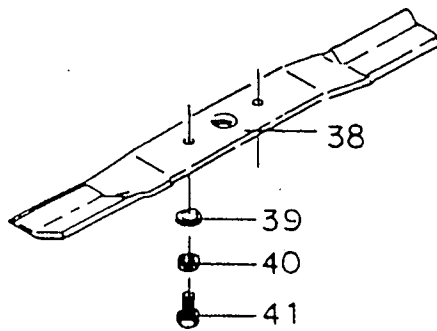
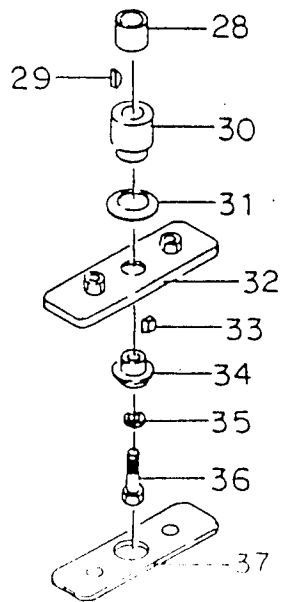
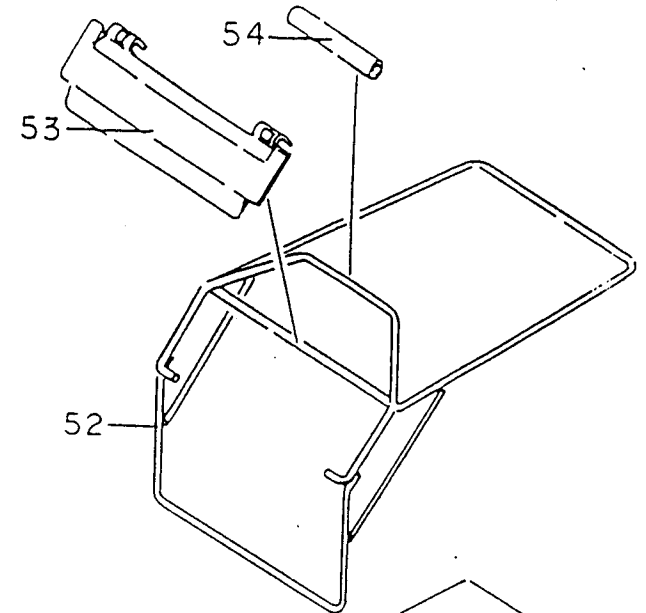
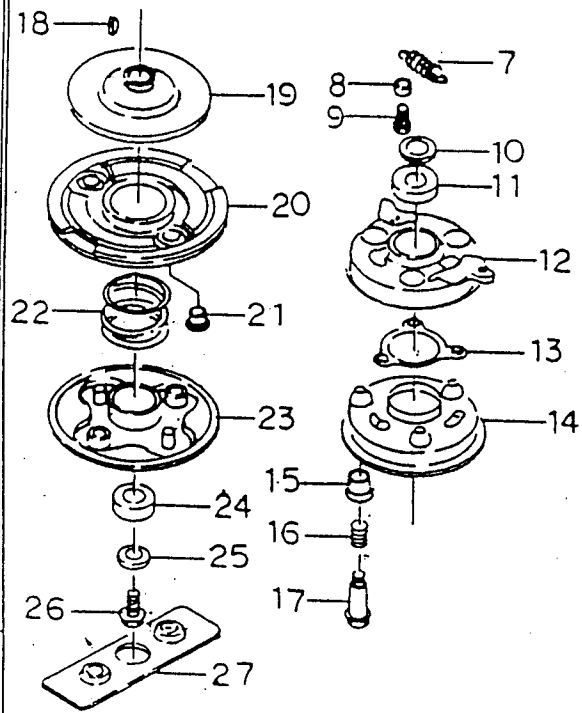
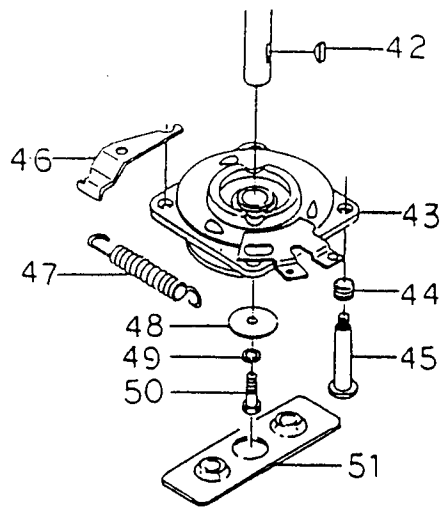
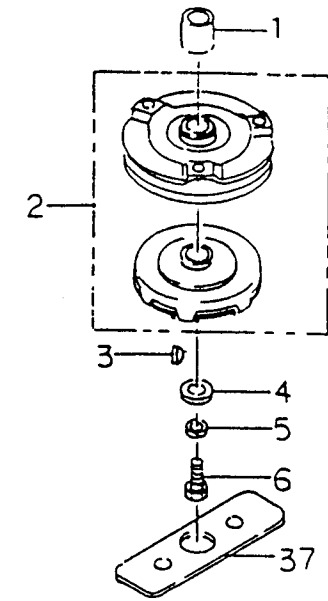


Fig 6 Blade and Bag

Ref.	Parts No.	Parts Name	Ex-Works	Quantity						Remarks	
				GR ##		GR 531		GR 532			
				C	D	C	D	C	D		
1	80-1020-944-00	B.B.C. Spacer (K) 29.5L	¥80							1	FC150V,NOTE1
2	80-1020-943-00	B.B.C. KIT (K)	¥5,200							1	FC150V,NOTE1
3	80-1020-892-00	Woodruff Key 4x16	¥33							1	FC150V
4	83-1610-321-00	Washer 10x36x4.5	¥123							1	FC150V,NOTE1
5	89-1750-100003	Spring Washer 10	¥7							1	FC150V
6	83-1020-118-00	Bolt 3/8-24x32UNF (K)	¥80							1	FC150V
7	80-1020-871-00	Clutch Return Spring (H)	¥250		2		2			2	GXV120/GXV160
8	80-1020-872-00	Collar (H)	¥46		2		2			2	GXV120/GXV160
9	83-1020-148-00	Tapping Bolt M6x14(H)	¥27		2		2			2	GXV120/GXV160
10	80-1020-874-00	Thrust Washer (H)	¥222		1		1			1	GXV120/GXV160
11	80-1020-875-00	Ball Bearing (H)	¥1,109		1		1			1	GXV120/GXV160
12	80-1020-876-00	Blade (H) Assy	¥3,813		1		1			1	GXV120/GXV160
13	80-1020-877-00	Ball Retainer (H)	¥416		1		1			1	GXV120/GXV160
14	80-1020-878-00	Blade Disc (H) Assy	¥4,432		1		1			1	GXV120/GXV160
15	80-1020-879-00	Bush (H)	¥191		3		3			3	GXV120/GXV160
16	80-1020-881-00	Spring (H)	¥163		3		3			3	GXV120/GXV160
17	80-1020-882-00	Blade Setting Bolt (H)	¥250		3		3			3	GXV120/GXV160
18	80-1020-892-00	Key 4x16(H)	¥33		1		1			1	GXV120/GXV160
19	80-1020-883-00	Drive Disc (H)	¥7,141		1		1			1	GXV120/GXV160
20	80-1020-884-00	Driven Disc (H) Assy	¥4,923		1		1			1	GXV120/GXV160
21	80-1020-885-00	Bush (H)	¥191		2		2			2	GXV120/GXV160
22	80-1020-886-00	Clutch Spring (H)	¥617		1		1			1	GXV120/GXV160
23	80-1020-887-00	Ball Control Plate (H) Assy	¥5,339		1		1			1	GXV120/GXV160
24	80-1020-888-00	Ball Bearing (H)	¥1,213		1		1			1	GXV120/GXV160
25	83-1020-323-00	Washer 10x30t4.5 (H)	¥107		1		1			1	GXV120/GXV160
26	89-1254-100252	Flange Bolt M10x1.25x25 (H)	¥43		1		1			1	GXV120/GXV160
27	80-1022-843-00	Blade Spacer 7H(H)	¥527		1		1			1	GXV120/GXV160
28	80-1020-808-00	Blade Bracket Spacer (K) 30L	¥80		1		1			1	FC150V
	80-1020-816-00	Blade Bracket Spacer (H) 20L	¥80		1		1			1	GXV120/GXV160
29	80-1020-892-00	Woodruff Key 4x16	¥33		1		1			1	
30	80-1020-833-00	Blade Bracket Receiver (K)	¥880		1		1			1	FC150V
	80-1020-837-00	Blade Bracket Receiver (H)	¥973		1		1			1	GXV120/GXV160
31	89-1852-280001	Belleville Spring H28	¥73		1		1			1	
32	80-1020-807-10	Blade Bracket	¥627		1		1			1	
33	89-2151-040150	Key 4x15 (K)	¥47		1		1			1	FC150V
	89-2151-040090	Key 4x9 (H)	¥23		1		1			1	GXV120/GXV160
34	80-1020-835-00	Blade Bracket Stopper (K)	¥667		1		1			1	FC150V
	80-1020-836-00	Blade Bracket Stopper (H)	¥667		1		1			1	GXV120/GXV160
35	89-1750-100003	Spring Washer 10	¥7		1		1			1	
36	83-1020-115-00	Bolt 3/8-24x50UNF (K)	¥80		1		1			1	FC150V
	89-1254-100402	Flange Bolt M10x1.25x40 (H)	¥50		1		1			1	GXV120/GXV160
37	80-1022-845-00	Blade Spacer 3H(K)	¥527		1	1	1	1	1	1	FC150V,NOTE1
	80-1022-845-00	Blade Spacer 3H(H)	¥527		1		1			1	GXV120/GXV160
38	80-1010-821-10	Blade 480	¥1,187		1	1					
	80-1020-821-10	Blade 530	¥1,200				1	1	1	1	
39	89-1711-100003	Washer 10(K)	¥7		2	2	2	2	2	2	FC150V
	89-1711-100003	Washer 10(H)	¥7		2		2			2	GXV120/GXV160
40	89-1750-100003	Spring Washer 10(K)	¥7		2	2	2	2	2	2	FC150V
	89-1750-100003	Spring Washer 10(H)	¥7		2		2			2	GXV120/GXV160
41	89-1113-100253	Bolt 8T M10x25 (H)	¥43			2		2		2	FC150V,NOTE1
	89-1113-100303	Bolt 8T M10x30 (K)	¥47			2		2		2	FC150V,NOTE2
	89-1113-100253	Bolt 8T M10x25 (H)	¥43		2		2			2	

	89-1254-100252	Flange Bolt M10x1.25x25 (H)	¥43	2	2	2	GXV120/GXV160
42	80-1020-892-00	Woodruff Key 4x16	¥33	1	1	1	FC150V,NOTE2
43	80-1020-943-10	Ball Bearing (H)	¥1,213	1	1	1	FC150V,NOTE2
44	80-1020-958-00	Washer 10x30t4.5 (H)	¥173	4	4	4	FC150V,NOTE2
45	80-1020-959-00	Flange Bolt M10x1.25x25 (H)	¥117	4	4	4	FC150V,NOTE2
46	80-1020-718-00	Bolt 8T M10x25 (H)	¥123	1	1	1	FC150V,NOTE2
47	80-1020-965-00	Flange Bolt M10x1.25x25 (H)	¥76	1	1	1	FC150V
48	80-1020-945-10	Grip for Bag Frame	¥56	1	1	1	FC150V,NOTE2
49	89-1750-100003	Spring Washer 10(K)	¥7	1	1	1	FC150V
50	83-1020-118-00	Bolt 3/8-24x32UNF (K)	¥80	1	1	1	FC150V
51	80-1022-843-00	Blade Spacer 7H	¥527	1	1	1	FC150V,NOTE2
52	80-1022-851-00	Bag Flame	¥2,167	1	1	1	1
53	80-1022-854-00	Bag Plate	¥763	1	1	1	1
54	80-1020-854-00	Grip for Bag Frame	¥56	1	1	1	1
55	80-1022-853-00	Bag	¥2,167	1	1	1	1

NOTE1: GR532D NO. ~VE96F00031

NOTE2: GR532D NO. VE97A00032~